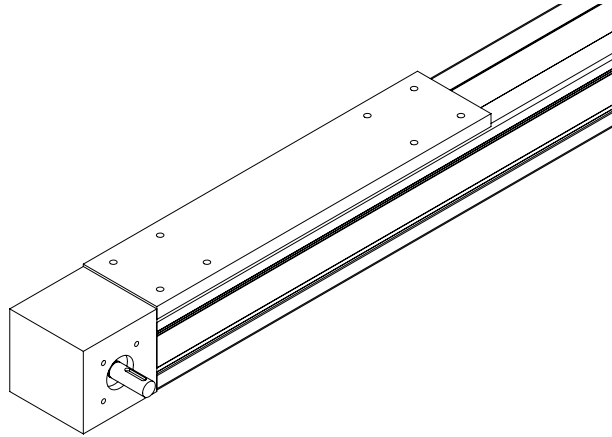
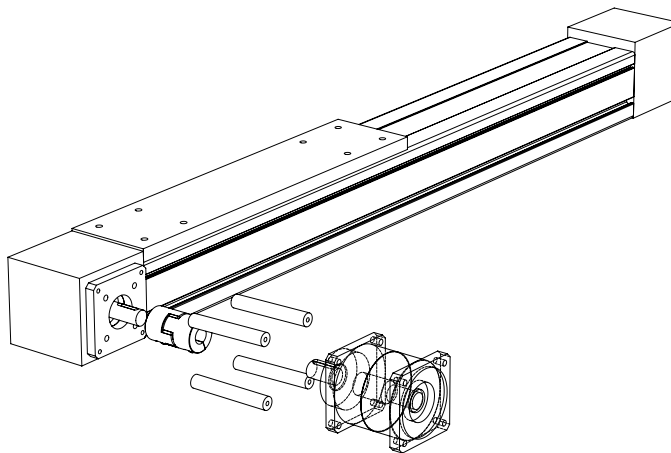


Drive shafts and drive adapters

RHL are as standard with hollow shafts. We can supply solid shafts for mounting in the hollow shafts.



On request, we also make adapter flanges, closed or open style, with suitable shaft coupling. We need to know your motor or gear dimensions.



We can also put on a planetary gearbox from Wittenstein with or w/o asynchronous motor.

