

**ROLLCO**

**MINI LINEAR UNITS  
MGBS & MGTB**



# MINI LINEAR UNITS MGBS & MGTB

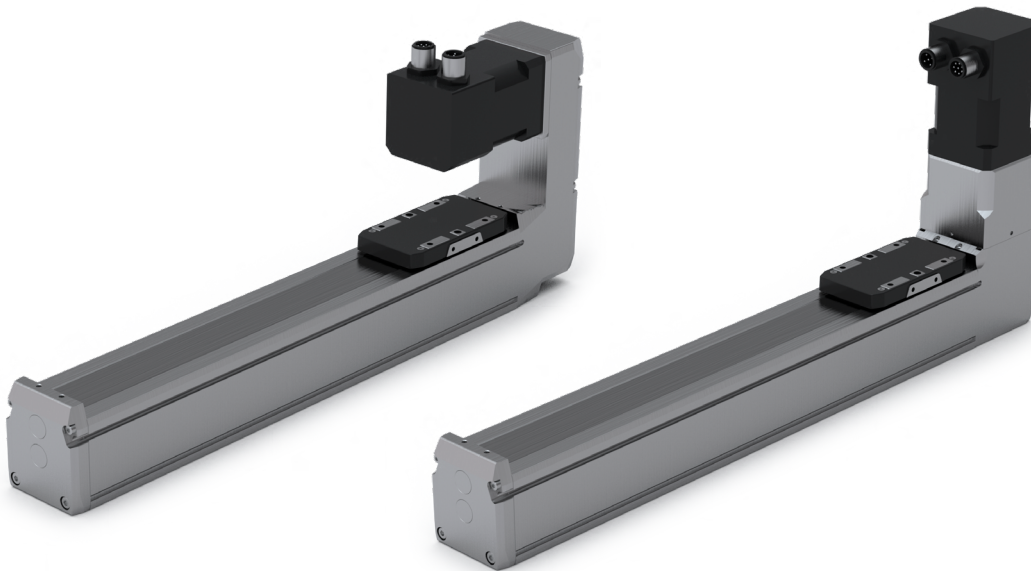
MGBS & MGTB are modular and cost-effective rod-less electromechanical linear drive units. They feature a high capacity and high precision linear guide system with either a precision ball screw (MGBS) or a timing belt transmission (MGTB) to convert a rotary input to linear motion and force. The position repeatability ranges from  $\pm 0.015$  mm to  $\pm 0.08$  mm.

## ENDURANCE

Our range of miniature units is designed to survive in the most intense automation situations, counting several million cycles over its lifetime. And this with practically no need for maintenance. High-quality components are used from inside and out.

## SUSTAINABILITY

MGBS & MGTB have highly efficient mechanical solutions, and the size and form factor to easily replace a lot of functions traditionally driven by pneumatics. The faster and more frequent the motion is, the greater the potential energy saving.



## PROVEN SYSTEM PERFORMANCE WITH OUR STEPPER MOTOR

All our miniature drive units can be calculated and mechanically adapted for your preferred motor, given it is within suitable physical dimensions. But to save time and cost, our stepper motor system is an excellent choice. The performance of all combinations of linear miniature units and our motors is already calculated and validated.



## MODULARITY

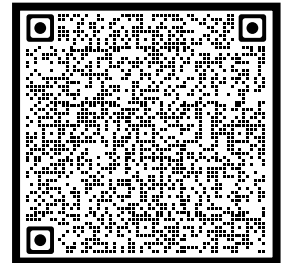
The MG series is a further extension of the MCE and MSCE miniature cylinder series, sharing the same outer shape and mounting hardware. The motor interfaces, in-line with a coupling or parallel over a belt drive, are the same for both MG and MCE/MSCE. To enable the best value and shortest delivery time, MG is batch produced and stocked in several standard stroke lengths.



## APPLICATION AREAS

- Replacement of rod-less pneumatic cylinders
- Positioning of tools and grippers
- Small multi-axis systems

**SCAN TO  
READ MORE**



**ALWAYS THE RIGHT SOLUTION  
AT THE RIGHT TIME.**

With a unique customer focus we make it easy to create, maintain and develop automation and linear movement.

**ROLLCO**

LINEAR SOLUTIONS **YOUR** WAY

Rollco AB  
Box 22234  
Ekvändan 17  
250 24 Helsingborg  
Sweden  
Tel. +46 42 150040  
[www.rollco.se](http://www.rollco.se)

Rollco A/S  
Skomagervej 13 E  
7100 Vejle  
Denmark  
Tel. +45 7552 2666  
[www.rollco.dk](http://www.rollco.dk)

Rollco Oy  
Sarankulmankatu 12  
33900 Tampere  
Finland  
Tel. +358 207 57 97 90  
[www.rollco.fi](http://www.rollco.fi)

Rollco Norge AS  
Industrigata 6  
3414 Lierstrada  
Norway  
Tel. +47 32 84 00 34  
[www.rollco.no](http://www.rollco.no)

Rollco Taiwan  
No. 28, Lane 125, Da-an Road  
Shulin District 238  
New Taipei City, Taiwan  
Tel. +886-2-8687-2726  
Fax +886-2-8687-2720  
[www.rollco-tw.com](http://www.rollco-tw.com)